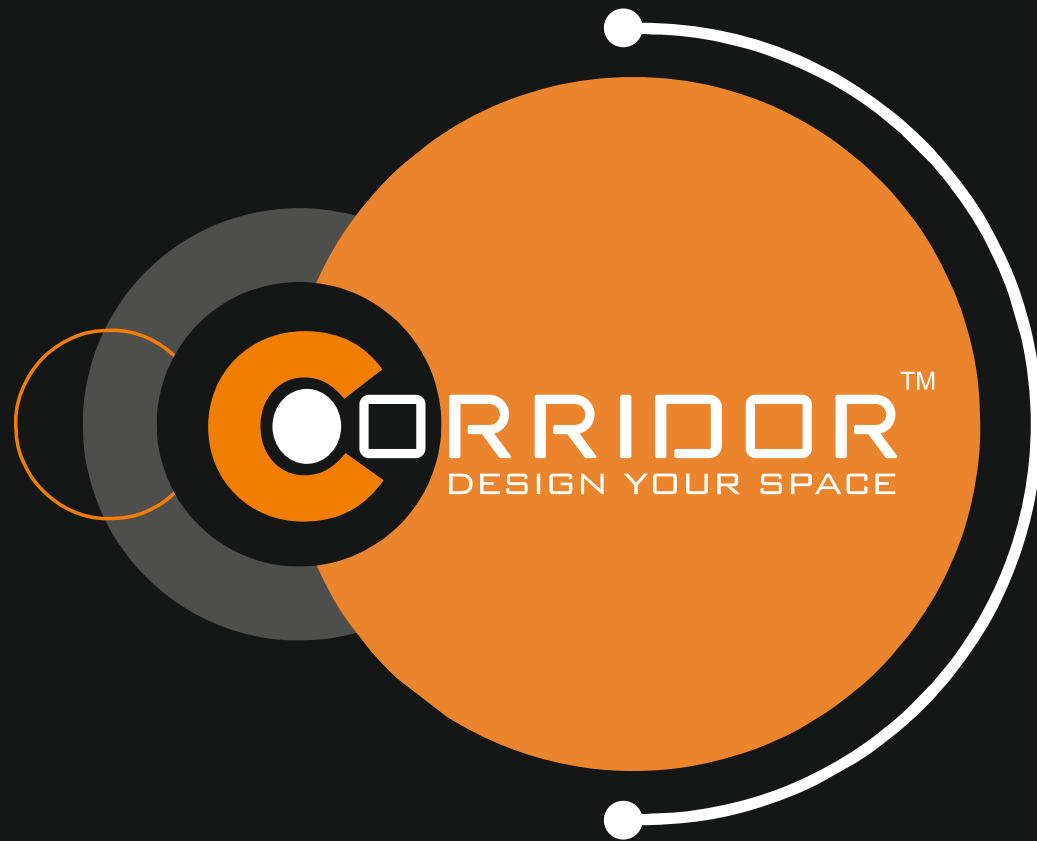
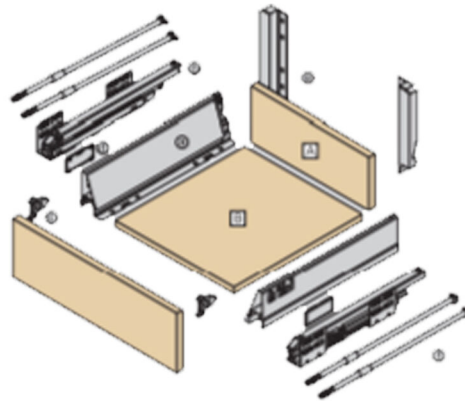


PRODUCT
CATALOGUE 2022



kitchen & wardrobe
accessories



TANDEM BOX WITH ROUND GALLERY



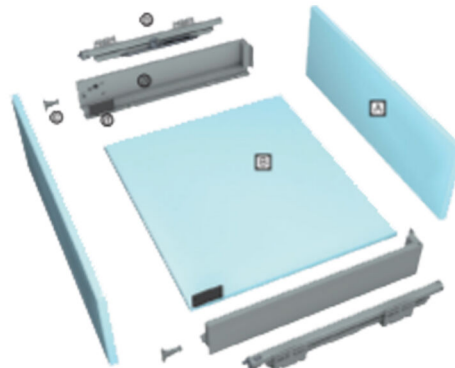
H=88 mm



H=121 mm



H=171 mm



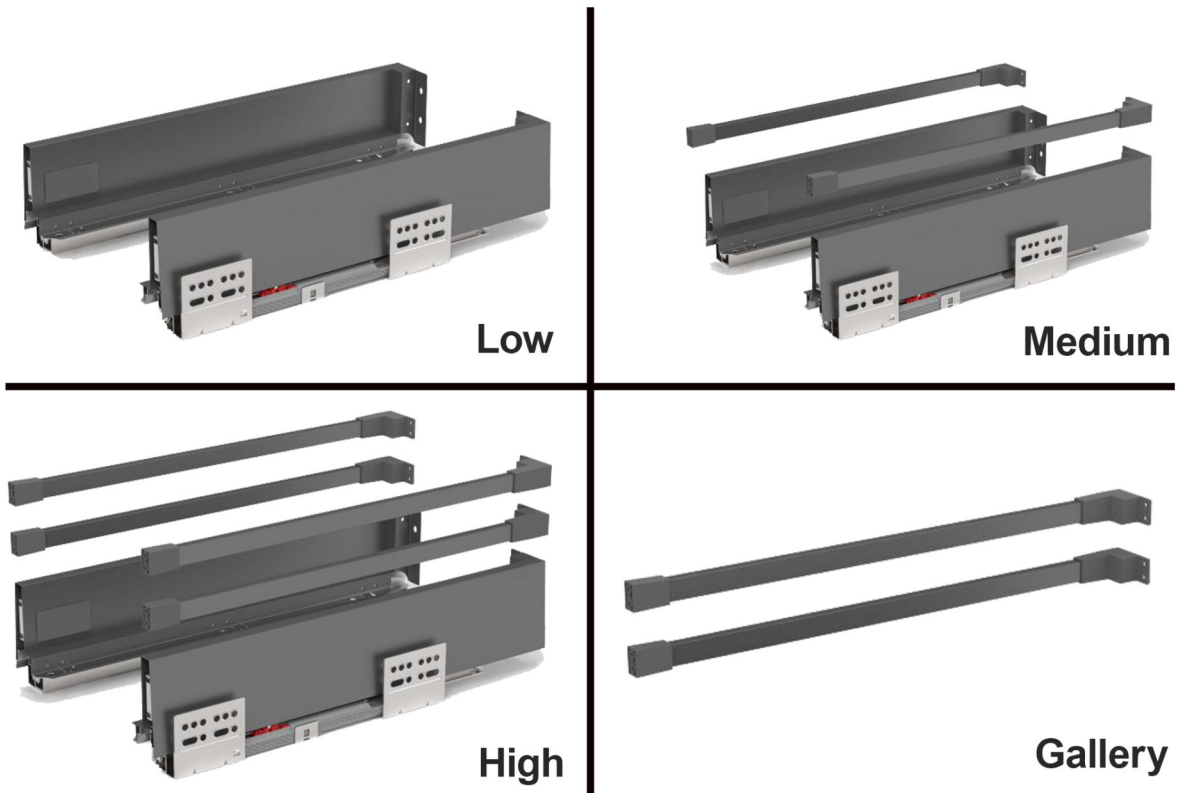
ULTRA SLIM LEGRA BOX

Size in MM

Width	300, 350, 400, 450, 500, 550, 600
Height	100, 150, 200
Load Cap.	35Kg



SLIM TANDEM BOX WITH SQUARE GALLERY



M.P. SINGLE PULL OUT & FRAME



SIZE IN MM (TANDEM)

Width	500, 550
Height	100, 150, 200
Load Cap.	35Kg / 65 Kg



Bottle Rack Jumbo

Size in MM **CO-217**

Width	250
Height	140
Depth	475, 525



Cup & Saucer Rack

Size in MM **CO-209**

Width	250
Height	140
Depth	475, 525



Plate Rack

Size in MM **CO-214**

Width	150
Height	140
Depth	475, 525



Plate Rack

Size in MM **CO-215**

Width	250
Height	164
Depth	475, 525



Thali & Plate Rack

Size in MM **CO-218**

Width	195
Height	170
Depth	475, 525



Saucer Rack

Size in MM **CO-207**

Width	125
Height	100
Depth	475, 525



Glass & Bottle Rack

Size in MM **CO-216**

Width	195
Height	140
Depth	475, 525



Thali Rack (Big)

Size in MM **CO-220**

Width	195
Height	170
Depth	475, 525



Drawer Matt

Size in MM **CO-002**

Size	485 mm x 20 mtr.
	535 mm x 20 mtr.



Two Line Cutlery (Fix)

Size in MM **CO-347-B**

Width	200
Height	63
Depth	475, 525



Three Line Cutlery

Size in MM **CO-348-C**

Width	299
Height	63
Depth	475, 525



Four Line Cutlery

Size in MM **CO-351-F**

Width	386
Height	63
Depth	475, 525

60 mm Adjustable Basket

Plain Basket



Partition Basket



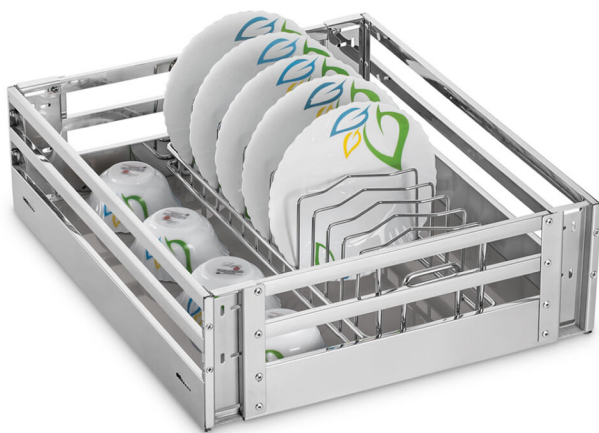
Cup & Saucer Basket



Cutlery Basket



Thali & Plate Basket



Double & Triple Pullout Basket



Cabinet Lifter Double Door



**G-125
Cabinet Lifter
Double Door**



Folding Table Bracket



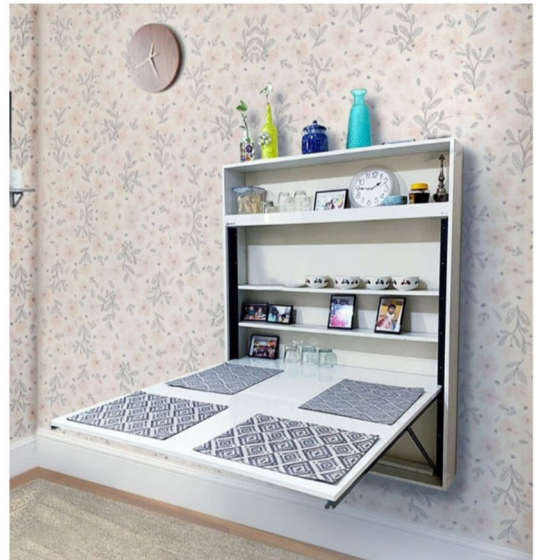
SIZE :- 12", 16" 20" 24"

Bed Lifter



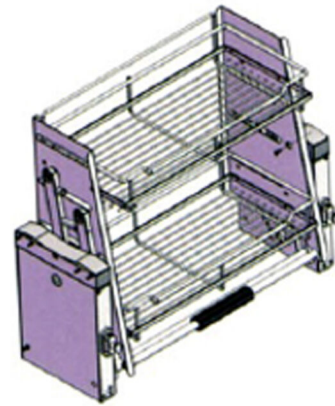
Size in Feet	3, 4, 5
Capacity	100 kg, 150 kg

Folding Dining Table



Size (feet):- 2, 2.5, 3, 3.5, 4, 5

Lifter Spice Rack (Hydraulic)

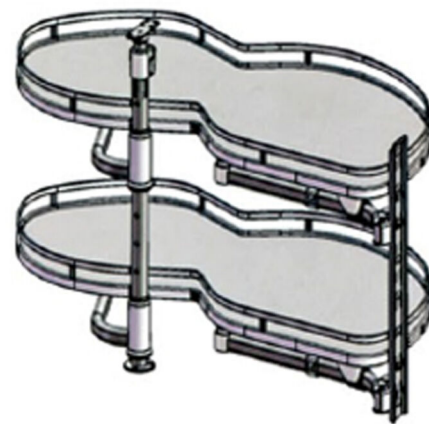


Lifter Spice Rack (Hydraulic)

Size in MM

Width	600, 800	Depth	300	Height	700
-------	----------	-------	-----	--------	-----

Snake Corner



(Imported)

Double Dustbin With Channel



SIZE IN MM

Width	355	Height	480
Depth	480		

Magic Corner Double Pullout (Left/Right)



Crockery Unit



Galvanized Steel
Finish : Charcoal Grey

Vertical Special Unit



Tall Unit



Size in MM (Tall Unit)

Width	400
Depth	508
Height	1200 to 1500, 1800 to 2100 (adj.)

Vertical Pullout Unit



Size in MM (Vertical)

Width	400
Depth	508
Height	1650 to 1950 (adj.)

Concealed Sliding Door System - CDW-309



Runner (Top/Bottom)

2 Door	4 + 4 Pcs.
3 Door	6 + 6 Pcs.



Cap of Rail Ending

2 Door	8 Pcs.
3 Door	8 Pcs.



Aluminium Rail

2 Door	4 Pcs.
3 Door	4 Pcs.



Screw & Allen Key

2 Door	Fix
3 Door	Fix



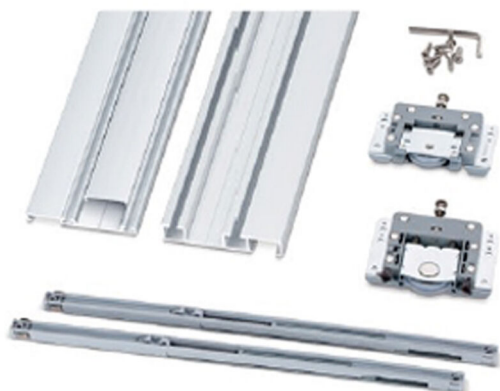
Damper

2 Door	4 Pcs.
3 Door	4 Pcs.

Specification :

- Two sides soft closing
- Apply to Wooden, Poly-Wood, Alu. Profile furniture
- Loading capacity of door : 40Kg & 60Kg
- Door Thickness : 25 mm, 32 mm
- Easy installation design, adjustable function to get the best balance between door panels
- Best silent performance by high quality German imported POM material runner, which is high-strength ball bearing runner

External Sliding Door System - CDW 409



Specification :

- Two sides soft closing
- Apply to Wooden, Poly-Wood, Alu. Profile furniture
- Loading capacity of door: 50 Kg
- Door Thickness: 25 mm, 32 mm
- Easy installation design, adjustable function to get the best balance between door panels
- Best silent performance by high quality German imported POM material runner, which is high-strength ball bearing runner

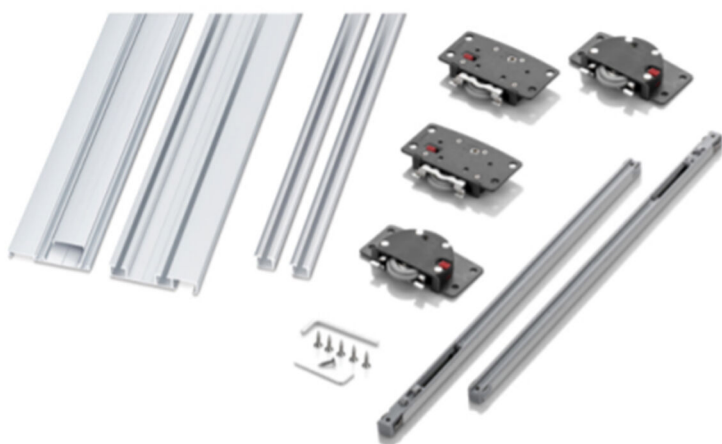
External Sliding Door System - CDW 509



Specification :

- Two sides soft closing
- Apply to Wooden, Poly-Wood, Alu. Profile furniture
- Loading capacity of door: 60 Kg
- Door Thickness: 25 mm, 32 mm
- Easy installation design, adjustable function to get the best balance between door panels
- Best silent performance by high quality German imported POM material runner, which is high-strength ball bearing runner

Concealed & External Sliding Door System - CDW316 (2 in 1)



Specification :

- A sliding door system applicable for both concealed and external installations.
- Apply to MDF, Plywood & Solid wood furniture.
- Damper auto position, easy installation.
- Comfortable and safe, improve furniture quality and service life.
- Single door loading capacity 50 kg
- Single door size requirement :
width : 400mm-1200mm,
height : 2500mm

Slider Hanger Holder Soft Close



SIZE = 500mm

Saree | Trouser Rack



SIZE = 500mm

Perfume Rack



WxDxH = 300x100x100mm

Wardrobe Lifter



**W = 525 to 950mm (Adj.)
H = 820mm**



KEYUR PATEL
+91 99748 35477

PARTH PATEL
+91 77779 37973



Kangashiyali - 40P, NH-27, Gondal Road,
Rajkot - 360022. (Gujarat) INDIA.



corridorindia4160@gmail.com